

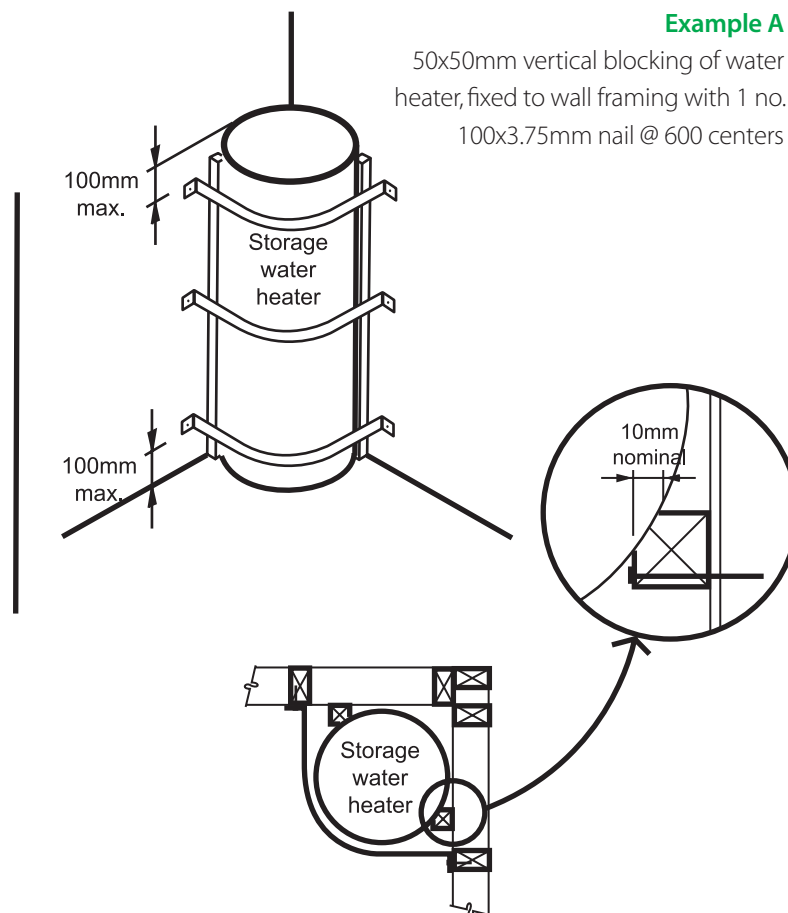
ecogise Water Cylinder Restraints Diagram

Extra centre strap for water cyl exceeding 200 litres

Storage water cyl to be restrained with 25x1mm galvanized steel straps tensioned when fixed in place.

Straps to be fixed to wall with;

- No.8mm coach screw with 30x2mm thick washer or
- No.20x2.5mm thick washers. Screw to penetrate timber framing by a minimum of 50mm



Example B

Light timber frame wall complying with NZS 3604

