

GreenWay Q3 Fixture mounted at 14 feet

Pole spacing 50 feet

DISCLAIMER

Calculations have been performed according to IESNA & CIE standards and good practice. Some differences between measured values and calculated results may occur due to tolerances in calculation methods, testing procedures, component performance, measurement techniques and field conditions such as voltage and temperature variations. Input data used to generate the attached calculations such as room dimensions, reflectances, furniture and architectural elements significantly affect the lighting calculations. If the real environment conditions do not match the input data, differences will occur between measured values and calculated values.



Room / Site Summary

Site

Calculation Summary

	<u>Attained</u>	<u>Target</u>
Zonal Cavity Illum*:	N/A fc	N/A fc
Unit Power Density:	0.017 W/sq. ft.	N/A W/sq. ft.

*Zonal cavity illuminance does not take into account objects within the space, or daylighting.

Area Summary

Overall Size: 528.00 ft x 12.00 ft x N/A ft
 Reflectances: Ceiling: N/A
 Walls: N/A
 Floor: N/A

Total Cost: \$0.00

Luminaire Type Summary

<u>Type</u>	<u>Catalog Number</u>	<u>Quantity</u>
GreenWay		11

Luminaire Location Summary

<u>Type</u>	<u>X</u>	<u>Y</u>	<u>Z</u>	<u>Orient</u>	<u>Tilt</u>	<u>Spin</u>	<u>AimX</u>	<u>AimY</u>	<u>AimZ</u>	<u>LLF</u>	<u>Tilt Factor</u>
Green	14.00	-0.25	0.00	0.00	0.00	0.00	n/a	n/a	n/a		
Green	64.00	-0.25	0.00	0.00	0.00	0.00	n/a	n/a	n/a		
Green	114.00	-0.25	0.00	0.00	0.00	0.00	n/a	n/a	n/a		
Green	164.00	-0.25	0.00	0.00	0.00	0.00	n/a	n/a	n/a		
Green	214.00	-0.25	0.00	0.00	0.00	0.00	n/a	n/a	n/a		
Green	264.00	-0.25	0.00	0.00	0.00	0.00	n/a	n/a	n/a		
Green	314.00	-0.25	0.00	0.00	0.00	0.00	n/a	n/a	n/a		
Green	364.00	-0.25	0.00	0.00	0.00	0.00	n/a	n/a	n/a		
Green	414.00	-0.25	0.00	0.00	0.00	0.00	n/a	n/a	n/a		
Green	464.00	-0.25	0.00	0.00	0.00	0.00	n/a	n/a	n/a		
Green	514.00	-0.25	0.00	0.00	0.00	0.00	n/a	n/a	n/a		



Calculation Grid: Typical 12' Pathway (Site)

Horizontal Illuminance

Calculation Grid Summary

Grid Name: Typical 12' Pathway	Grid Origin: (0.91, 0.31)	Grid Surface: n/a
Grid Type: Horizontal Illuminance	Grid Orient:	Grid Hinge: 0
Grid Units: Footcandles	Grid Elev.: 0.00	Grid Azimuth: 0

Statistical Area Summary

<u>Stat. Area</u>	<u>Ave</u>	<u>Max</u>	<u>Min</u>	<u>Ave/Min</u>	<u>Max/Min</u>	<u>Std. Dev.</u>
Typical 12' Pathway	0.84	2.26	0.17	4.95	13.39	0.62

Calculation Grid

	0.00	10.12	20.24	30.36	40.48	50.59	60.71	70.83	80.95	91.07	101.19	111.31	121.43
11.39	0.43	1.27	0.92	0.27	0.17	0.49	1.31	0.87	0.25	0.17	0.53	1.33	0.81
9.11	0.49	1.54	1.10	0.30	0.19	0.55	1.59	1.03	0.28	0.19	0.60	1.63	0.96
6.83	0.56	1.78	1.26	0.34	0.20	0.63	1.85	1.18	0.31	0.21	0.69	1.89	1.10
4.55	0.62	2.07	1.44	0.36	0.21	0.70	2.17	1.34	0.33	0.22	0.76	2.22	1.25
2.28	0.62	2.04	1.42	0.35	0.21	0.69	2.13	1.33	0.33	0.22	0.76	2.16	1.23
0.00	0.56	1.76	1.24	0.33	0.20	0.62	1.82	1.16	0.31	0.21	0.68	1.86	1.08



Calculation Grid: Typical 12' Pathway (Site) (Page 2)

Horizontal Illuminance

Calculation Grid

	131.55	141.67	151.78	161.90	172.02	182.14	192.26	202.38	212.50	222.62	232.74	242.85	252.97
11.39	0.23	0.18	0.57	1.35	0.76	0.22	0.19	0.62	1.37	0.71	0.21	0.20	0.66
9.11	0.27	0.20	0.65	1.65	0.89	0.25	0.21	0.70	1.67	0.82	0.23	0.22	0.76
6.83	0.29	0.22	0.74	1.92	1.02	0.27	0.23	0.80	1.94	0.94	0.26	0.24	0.87
4.55	0.31	0.23	0.83	2.24	1.16	0.29	0.24	0.90	2.26	1.07	0.27	0.25	0.98
2.28	0.31	0.23	0.82	2.18	1.15	0.29	0.24	0.90	2.21	1.06	0.27	0.25	0.97
0.00	0.29	0.22	0.73	1.89	1.01	0.27	0.23	0.79	1.92	0.93	0.25	0.24	0.86



Calculation Grid: Typical 12' Pathway (Site) (Page 3)

Horizontal Illuminance

Calculation Grid

	263.09	273.21	283.33	293.45	303.57	313.69	323.81	333.93	344.04	354.16	364.28	374.40	384.52
11.39	1.37	0.66	0.20	0.21	0.71	1.37	0.62	0.19	0.22	0.76	1.35	0.57	0.18
9.11	1.67	0.76	0.22	0.23	0.82	1.67	0.70	0.21	0.25	0.89	1.65	0.65	0.20
6.83	1.95	0.87	0.24	0.26	0.94	1.94	0.80	0.23	0.27	1.02	1.92	0.74	0.22
4.55	2.26	0.98	0.25	0.27	1.07	2.26	0.90	0.24	0.29	1.16	2.24	0.83	0.23
2.28	2.20	0.97	0.25	0.27	1.06	2.21	0.90	0.24	0.29	1.15	2.18	0.82	0.23
0.00	1.93	0.86	0.24	0.25	0.93	1.92	0.79	0.23	0.27	1.01	1.89	0.73	0.22



Calculation Grid: Typical 12' Pathway (Site) (Page 4)

Horizontal Illuminance

Calculation Grid

	394.64	404.76	414.88	425.00	435.11	445.23	455.35	465.47	475.59	485.71	495.83	505.95	516.07
11.39	0.23	0.81	1.33	0.53	0.17	0.25	0.87	1.31	0.49	0.17	0.27	0.92	1.27
9.11	0.27	0.96	1.63	0.60	0.19	0.28	1.03	1.59	0.55	0.19	0.30	1.10	1.54
6.83	0.29	1.10	1.89	0.69	0.21	0.31	1.18	1.85	0.63	0.20	0.34	1.26	1.78
4.55	0.31	1.25	2.22	0.76	0.22	0.33	1.34	2.17	0.70	0.21	0.36	1.44	2.07
2.28	0.31	1.23	2.16	0.76	0.22	0.33	1.33	2.13	0.69	0.21	0.35	1.42	2.04
0.00	0.29	1.08	1.86	0.68	0.21	0.31	1.16	1.82	0.62	0.20	0.33	1.24	1.76



Calculation Grid: Typical 12' Pathway (Site) (Page 5)

Horizontal Illuminance

Calculation Grid

	<u>526.18</u>
11.39	0.43
9.11	0.49
6.83	0.56
4.55	0.62
2.28	0.62
0.00	0.56



Site Plan View

Scale: Scale to Fit

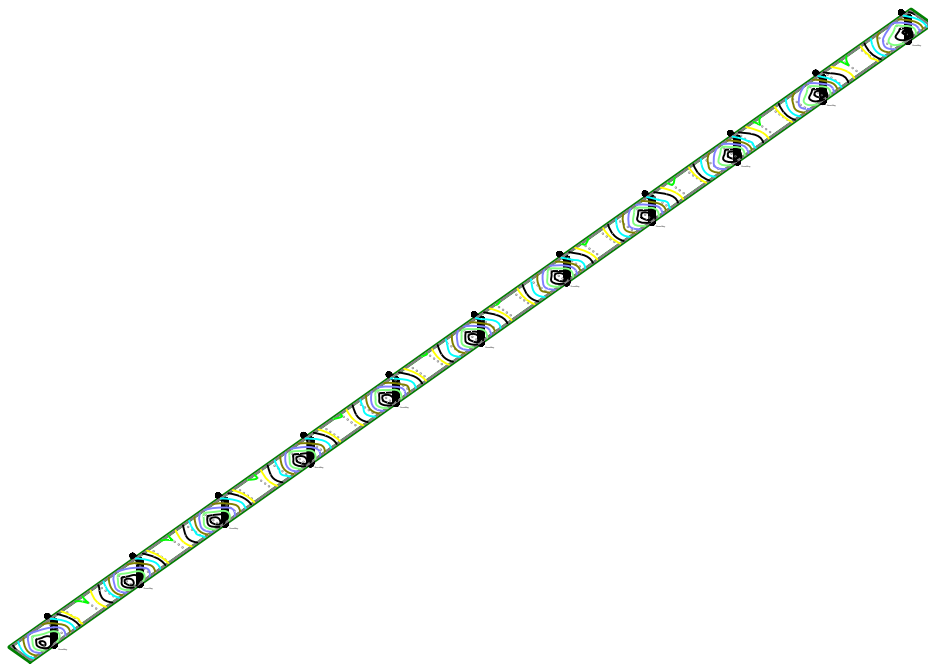
Typical 12' Pathway with GreenWay

SOL INC

Palm City, FL

11/2/2007

Prepared for:



Site Isometric View

Scale: Scale to Fit



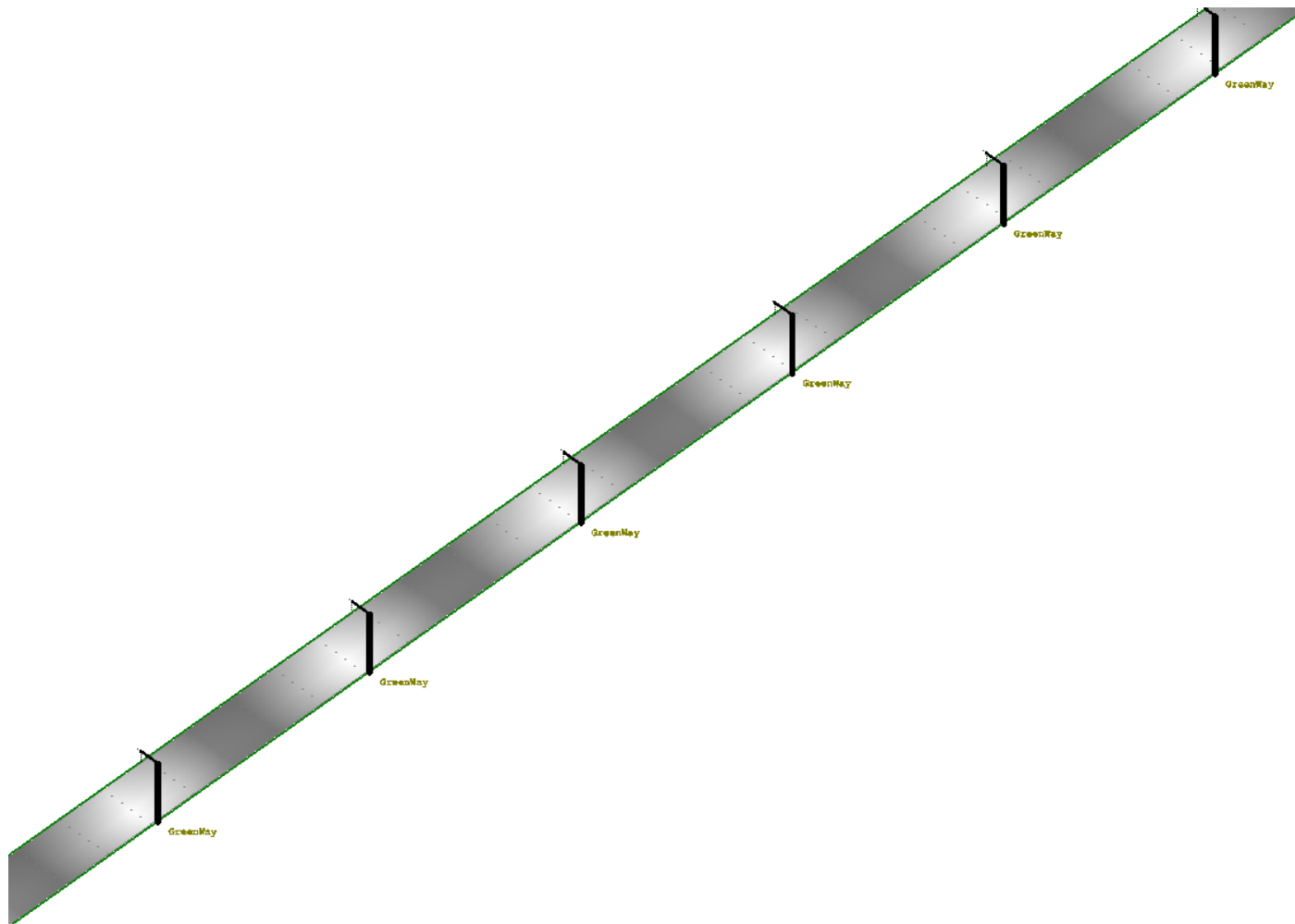
Typical 12' Pathway with GreenWay

SOL INC

Palm City, FL

11/2/2007

Prepared for:



Isometric View

Scale: No Scale

Typical 12' Pathway with GreenWay

SOL INC

Palm City, FL

11/2/2007

Prepared for: